



FEATURE HIGHLIGHTS

- Frameless
- Barn style wheels
- Bypass door design
- Up to 4 in. (101mm) in width adjustment
- Chrome, brushed stainless, satin gold and satin black hardware finished available.
- Wall profiles for out-of-plumb adjustment
- 2 towel bar style handles
- Barn style rollers with built in anti-jumping

SPECIFICATIONS

VERONA/ MODEL NUMBER: SW0146

DIMENSIONS

- 60 in. (1524 mm) wide x 76 in. (1930 mm) height
- Overhead clearance 71 3/4" (1822mm)
- Opening clearance 24 1/16 in. (611 mm) Min -28 1/16 in. (712 mm) Max.
- Fits 56 in. (1422 mm) - 60 in. (1524 mm) finished opening
- Up to 4 in. (101 mm) in width adjustment
- Up to 3/8 in. (10 mm) out-of-plumb adjustment

GLASS

- 5/16 in. (8 mm) clear glass
- ANSI certified tempered glass

HARDWARE

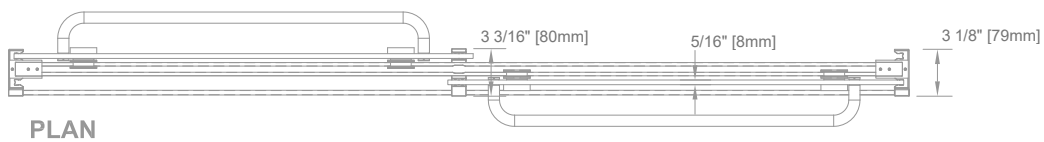
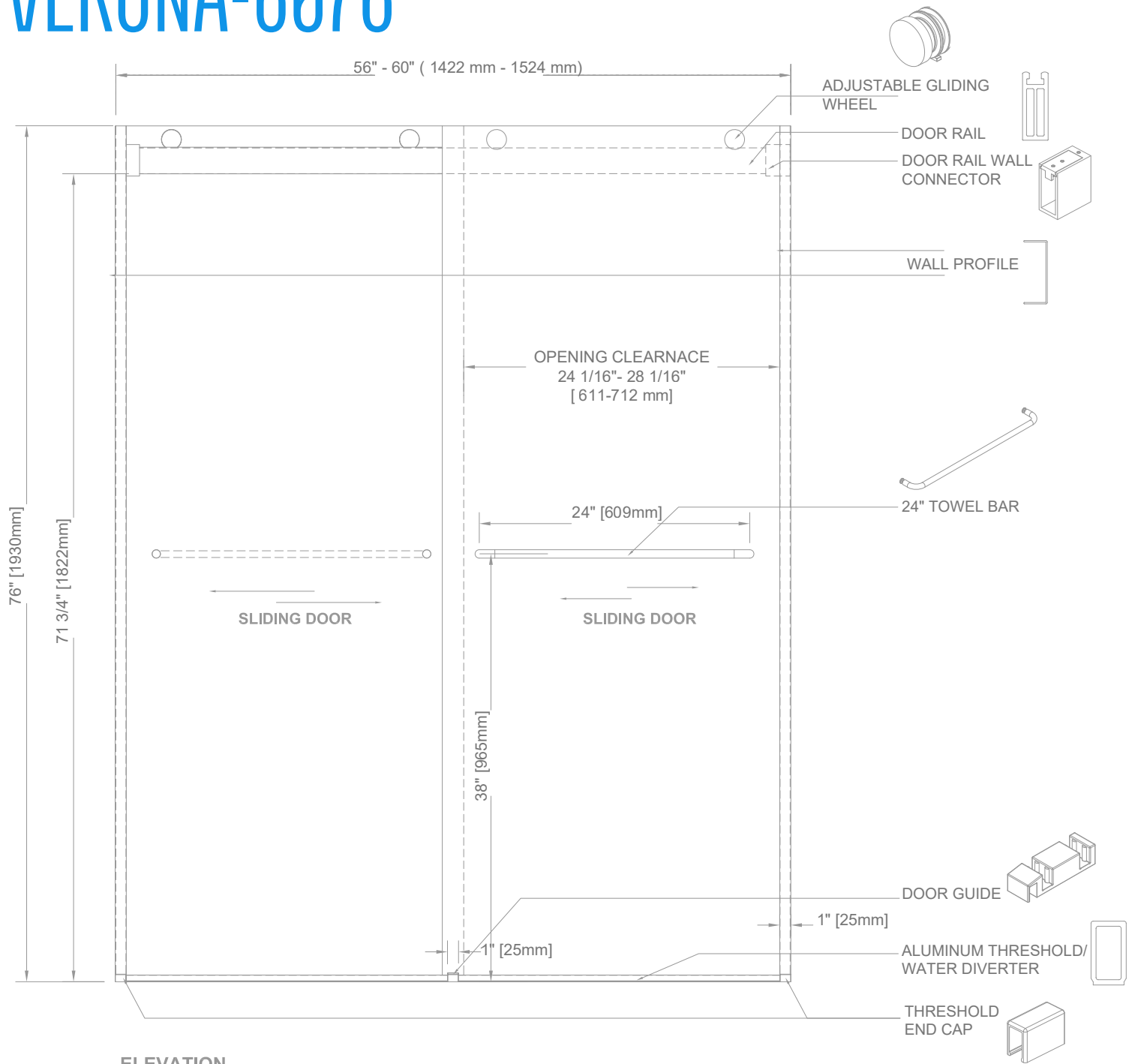
- Chrome finish
- Adjustable, gliding, stainless steel wheels
- Barn style rollers with built in anti-jumping
- optional wall profiles for 1/2 in. (12 mm) out of plumb adjustment.
- Aluminium top rail, threshold and wall profiles
- Stainless steel 24 in. (609 mm) towel bar style handles

- Fully frameless glass design

STANDARD FEATURES

- Bypass sliding door
- Anti-collision blocks in wall profiles soften force on impact and keep doors locked in position.
- CPSC 16CFR 1201
- ANSI Z97.1
- IBC 2009 2403

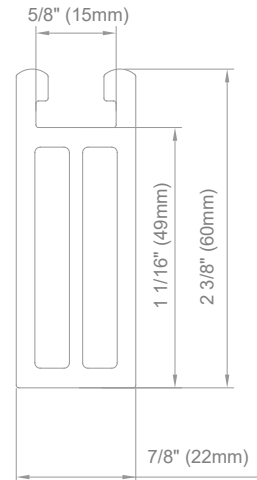
VERONA-6076



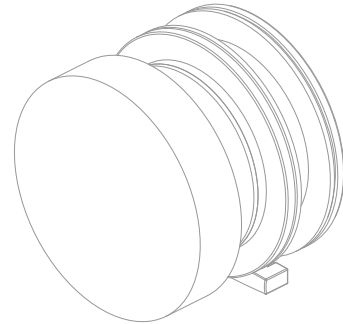
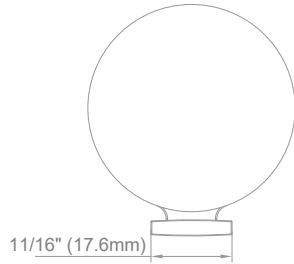
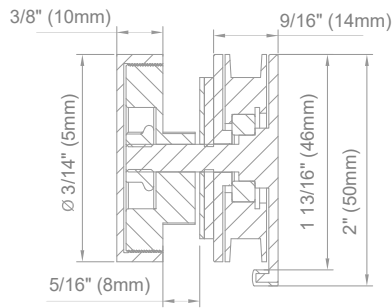
PARTS SPECIFICATIONS



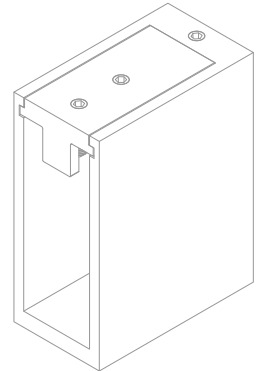
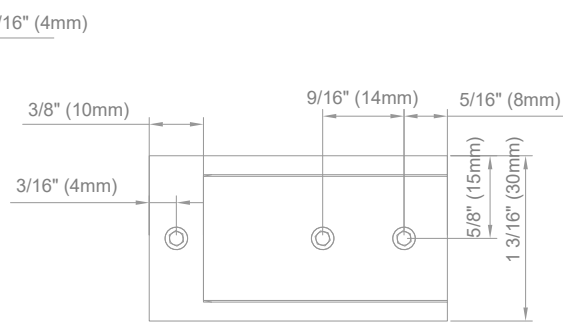
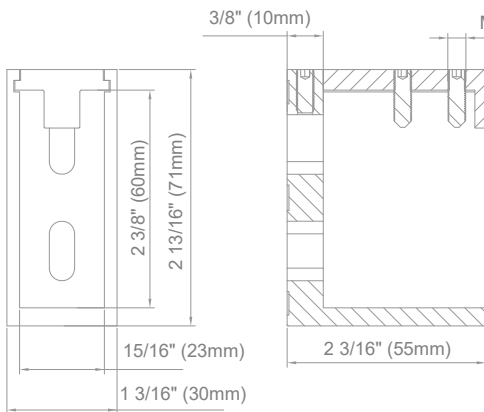
DOOR RAIL



ADJUSTABLE GLIDING WHEEL

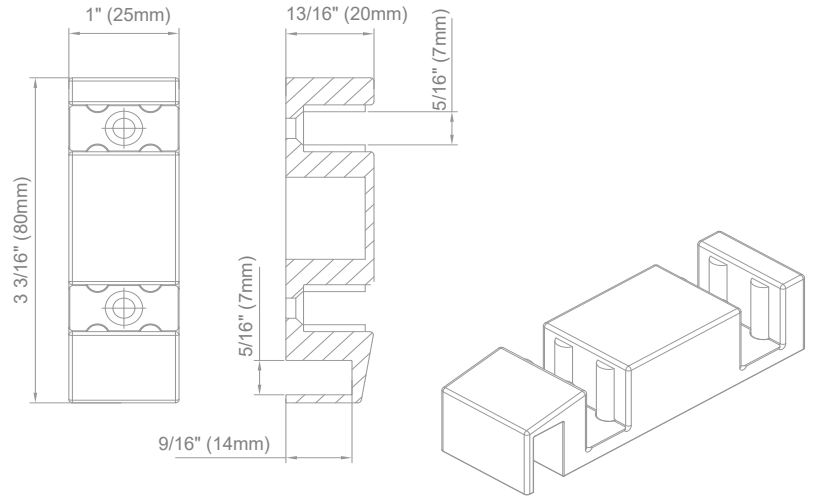


DOOR RAIL WALL CONNECTOR

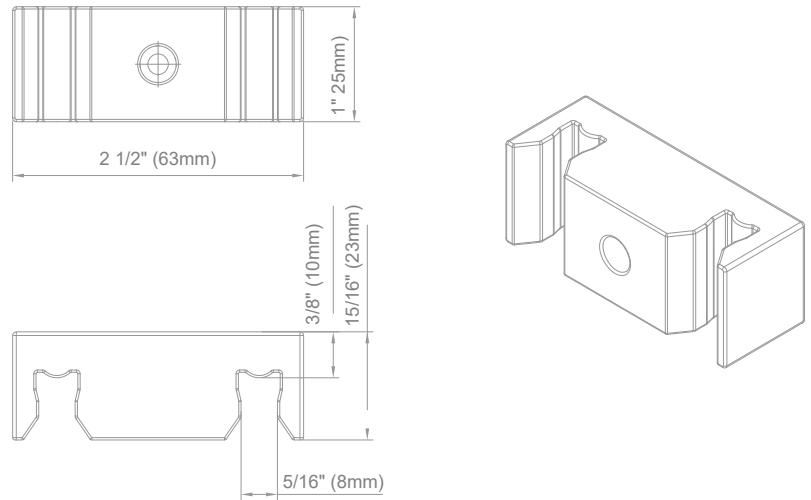


PARTS SPECIFICATIONS

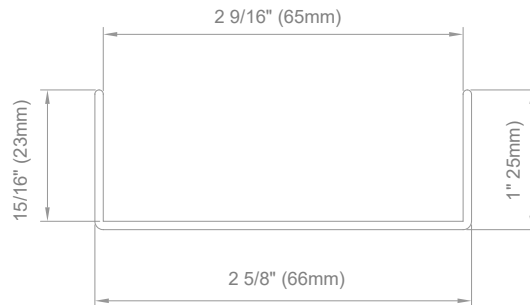
DOOR GUIDE



ANTI COLLUSION BLOCK

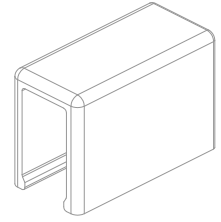
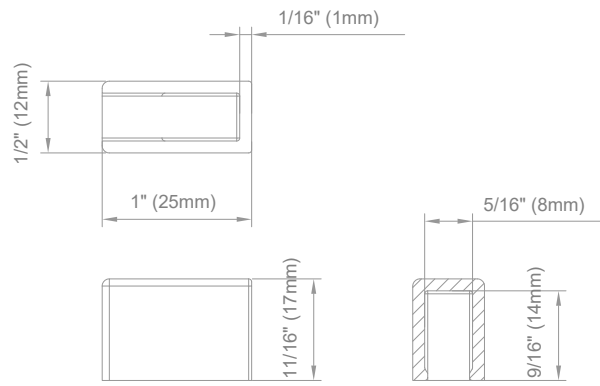


WALL PROFILE

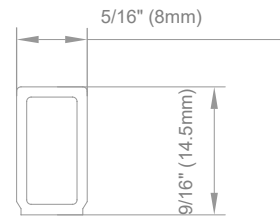


PARTS SPECIFICATIONS

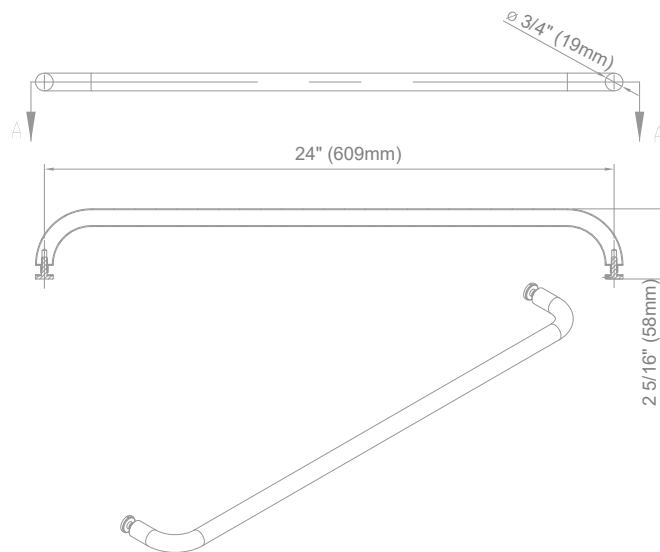
ALUMINUM THRESHOLD END CAP



ALUMINUM THRESHOLD /WATER DIVERTER



TOWEL BAR HANDLE



CUSTOM OPTIONS

DIMENSIONS

- 56 in. (1422mm) - 60 in. (1524mm) x 76 in. (1930 mm) height
- Custom sizes and configurations available to fit specific project

GLASS

- 5/16 in. (8 mm)
- Clear, Frosted, Reeded, Low iron and others

HARDWARE

- Chrome, brushed stainless, satin gold and satin black hardware finished available.



CH (Chrome)



ST (Brushed Stainless)



SB (Satin Black)



SG (Satin Gold)

TOWEL BARS

- 24 in. (609mm) towel bar style handles.

D-SHAPE



METERED



SQUARE METERED



LADDER



RECESSED THROUGH GLASS



OVAL-LADDER



GLASS COATINGS

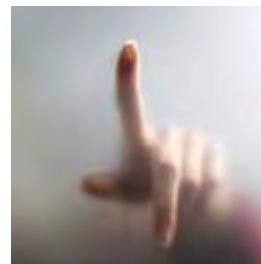
- Nano Fusion - is baked in with lifetime warranty
- Surface Shield - is surface applied with three (3) years of warranty



UNTREATED

TREATED

- Frosted glass made with acid etching process, easy to clean and leaves no finger prints



NOTE

- Maximum width is 60 in. (1524 mm) and Maximum height is 84 in. (2133 mm)
- Width of towel bar style handle vary based on the door panel size.
- Shower pan with minimum curb width of 3 3/16 in. (80 mm) required.