

LUXOR-4876

FEATURE HIGHLIGHTS

- Frameless
- Bypass door design
- Up to 4 in. (101 mm) in width adjustment
- Wall profiles for out-of-plumb adjustment
- Chrome, brushed stainless, and satin black hardware finishes available
- 2 towel bar style handles

SPECIFICATIONS

LUXOR/ MODEL NUMBER: SW0133

DIMENSIONS

- 48 in. (1219 mm) wide x 76 in. (1930 mm) height
- Overhead clearance 73 7/8 in. (1876 mm)
- Opening clearance 21 11/16 in. (550 mm)
- Fits 44 in. (1118 mm) - 48 in. (1219 mm) finished opening
- Up to 2 in. (50 mm) in width adjustment
- Up to 3/8 in. (10 mm) out-of-plumb adjustment

GLASS

- 5/16 in. (8 mm) clear glass
- ANSI certified tempered glass

HARDWARE

- Chrome finish
- Aluminum frame
- Stainless steel 18 in. (457 mm) towel bar style handles
- Fully frameless glass design

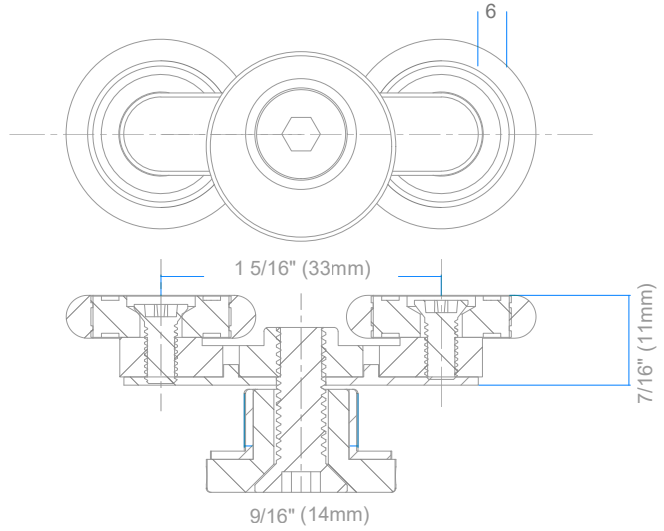
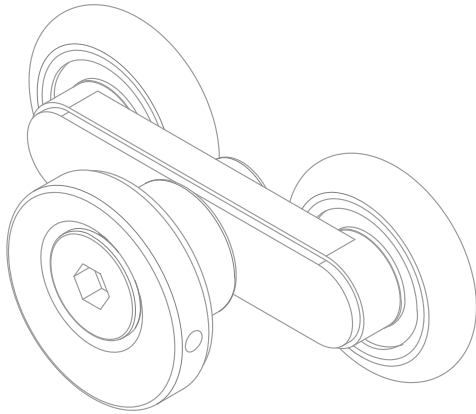
STANDARD FEATURES

- Bypass sliding door
- Anti-collision blocks in wall profiles soften force on impact and keep doors locked in position.
- CPSC 16CFR 1201
- ANSI Z97.1
- IBC 2009 2403

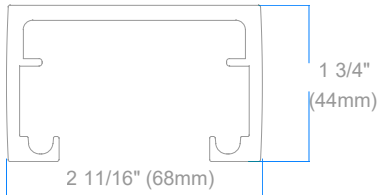


PARTS SPECIFICATIONS

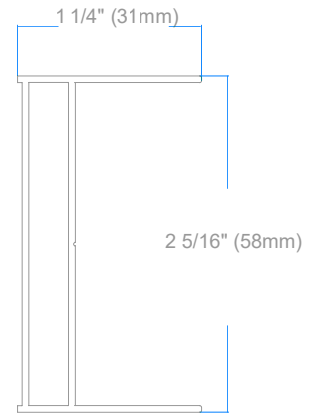
GLASS PLATE & ROLLERS



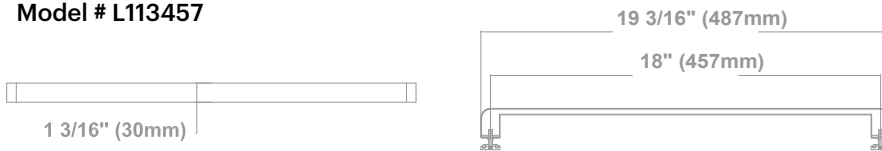
DOOR RAIL



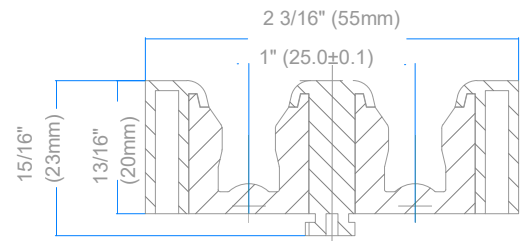
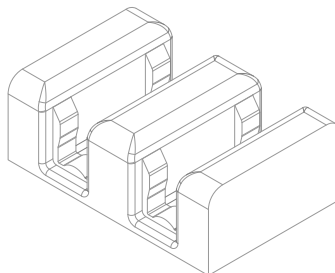
WALL PROFILE



TOWEL BAR Model # L113457

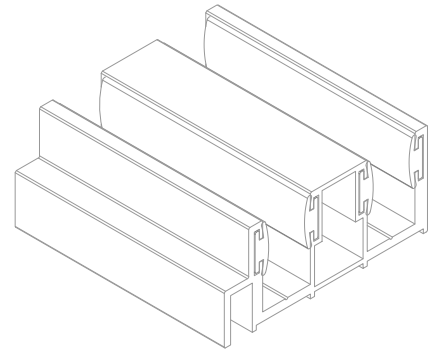
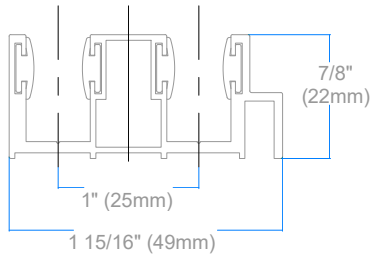
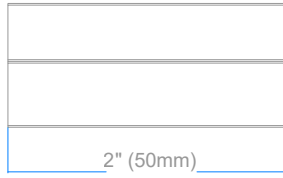


ANTI COLLISION BLOCK

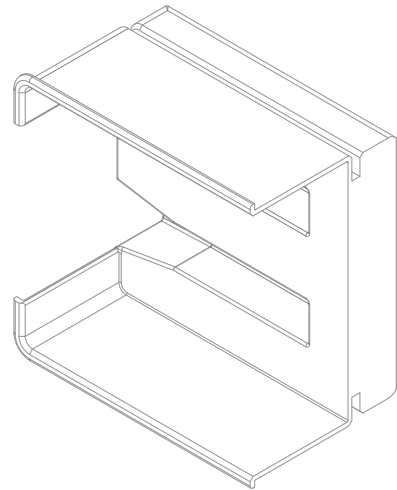
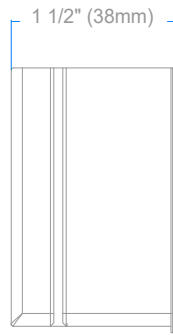
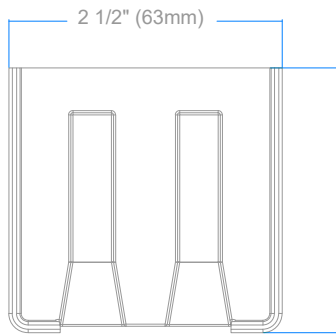


PARTS SPECIFICATIONS

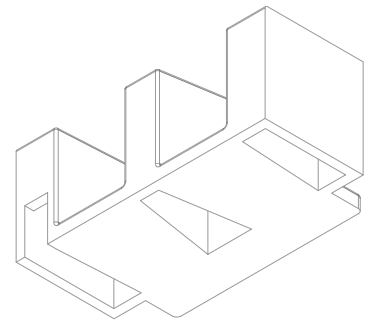
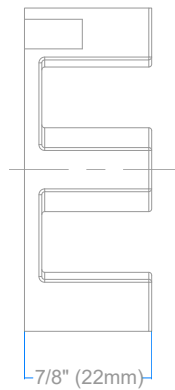
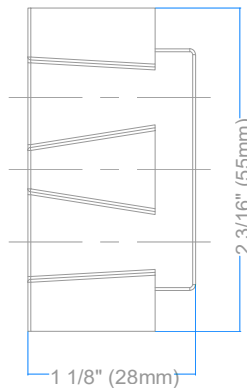
BOTTOM GUIDER



CAP

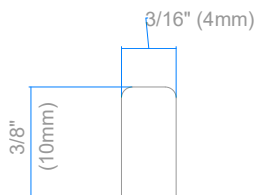


DOOR GUIDE



PARTS SPECIFICATIONS

ALUMINIUM THRESHOLD



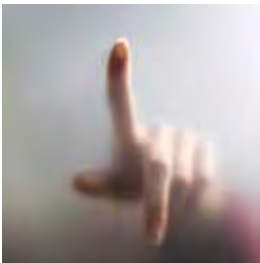
CUSTOM OPTIONS

GLASS COATINGS

- NanoFusion - is baked in with lifetime warranty
- EnduroShield - is surface applied with ten (10) years of warranty

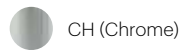


- Frosted glass made with acid etching process, easy to clean and leaves no finger prints



HARDWARE

- Chrome, Brushed Stainless, and Satin Black



CH (Chrome)



BS (Brushed Stainless)



SB (Satin Black)

NOTE

- Shower pan with minimum curb width of 2 5/16 in. (58 mm) required.
- Width of towel bar style handle vary based on the door panel size.
- Opening clearance based on a 48 in. (1219mm) opening between the finished walls. Dimensions variable depending on finished opening.