

# FlexX DUO 5-5196

## FEATURE HIGHLIGHTS

- Frameless
  - Fits 48 in. (1218 mm) - 51 in. (1295 mm) finished
- Opening**
- Up to 3 in. (76mm) in width adjustment
  - Single pivot door with two (2) panels
  - Self-closing pivot hinges
  - Chrome, brushed stainless, satin gold and satin black hardware finished available.
  - Different handle options available
  - U-channel and wall profile for out of plumb adjustment
  - Reversible installation

## SPECIFICATIONS

**FlexX Duo / MODEL NUMBER: SW0138-5196**

### DIMENSIONS

- Fits 48 in. (1218 mm) - 51 in. (1295 mm) wide x 96 1/2 in.(2451 mm) height
- Opening clearance 28 1/8 in.(714mm) min - 30 1/8 in. (765mm) max.
- Up to 3 in. (76 mm) in width adjustment
- Up to 1/2 in. (12 mm ) out-of-plumb adjustment

### GLASS

- 5/16 in. (8 mm) clear glass door and hinged fixed panel and 3/8 in. (10 mm) clear glass for inline panel
- ANSI certified tempered glass

### HARDWARE

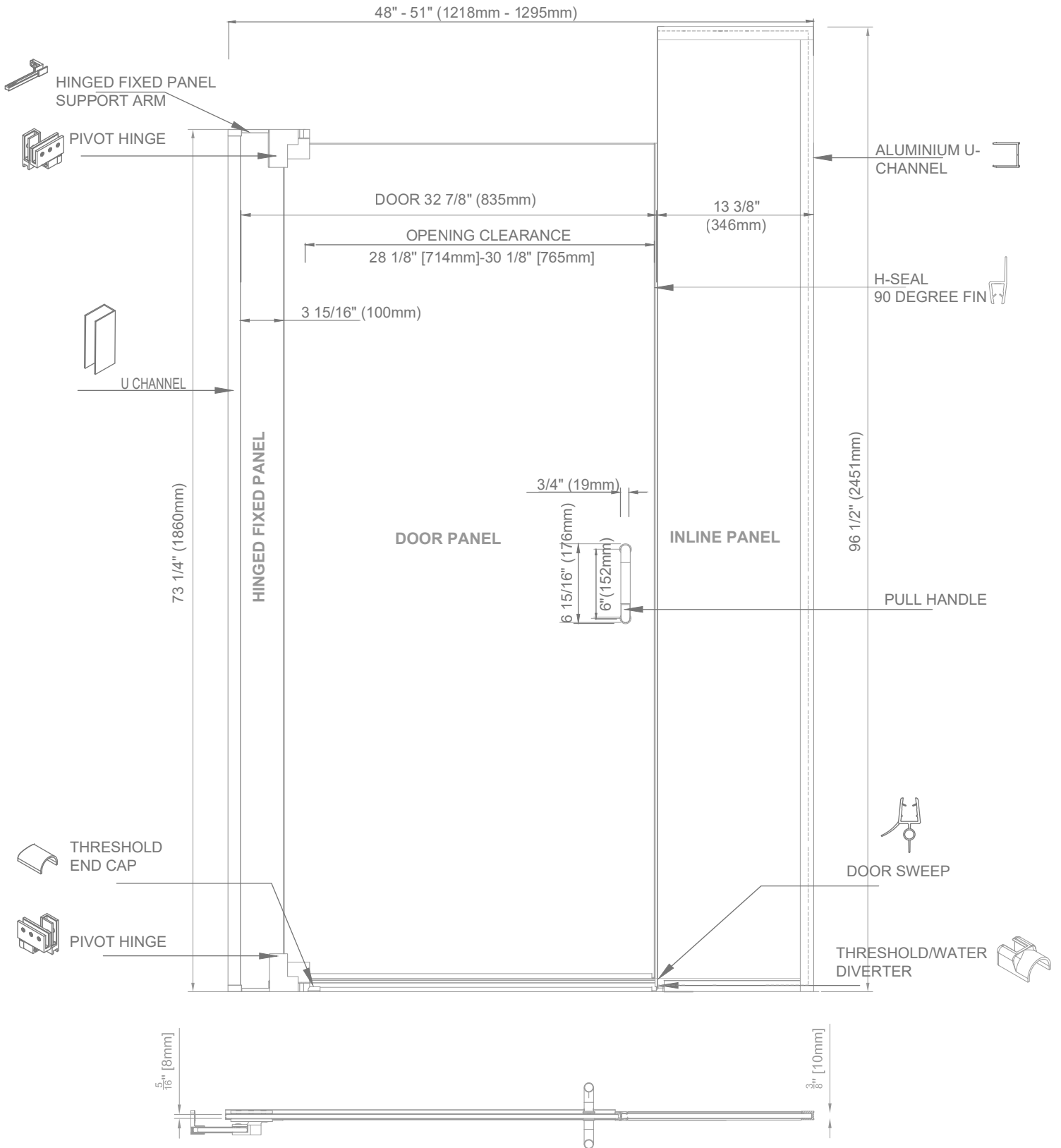
- Chrome finish (see options)
- Solid stainless steel glass mount self-closing hinges
- Aluminum threshold, U-channel and wall profile
- Fully frameless glass design

### STANDARD FEATURES

- Single pivot door with two (2) panels
- Reversible for right or left door installation
- Polycarbonate water proof seal strips



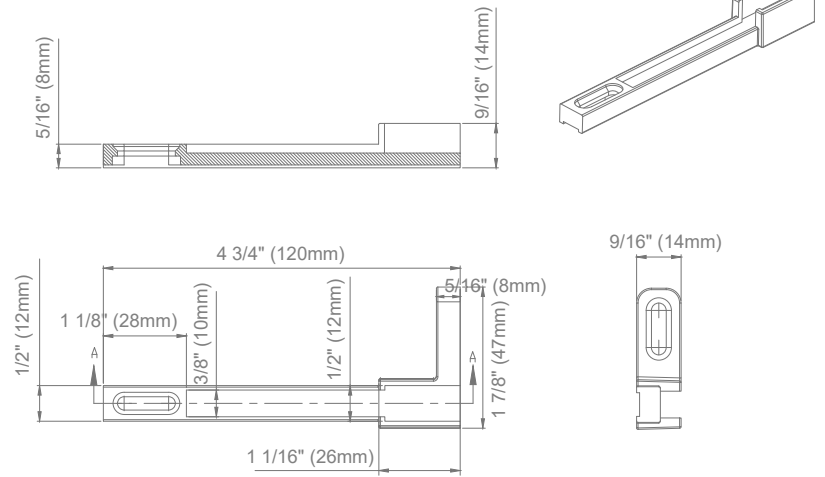
# FlexX DUO 5-5196



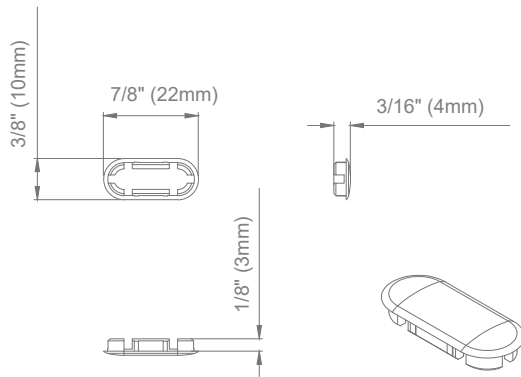
# PARTS SPECIFICATIONS



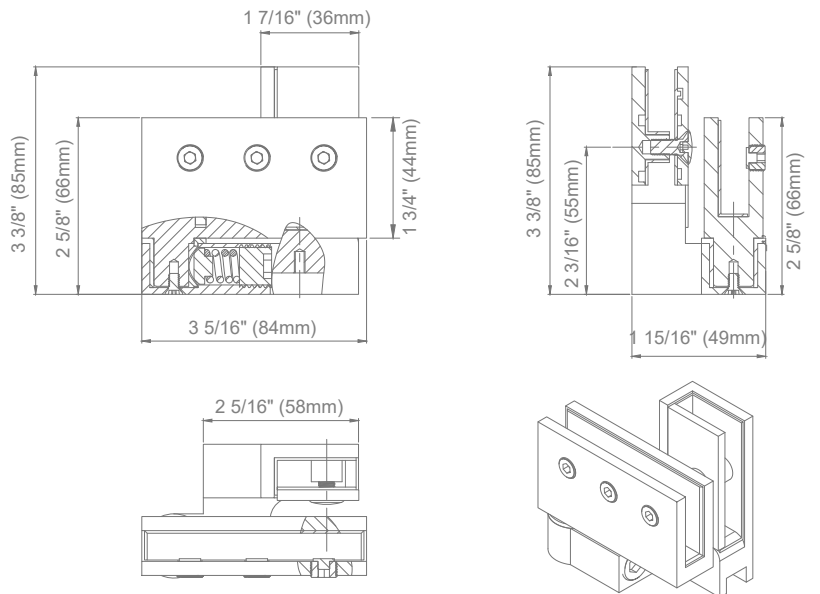
## HINGED FIXED PANEL SUPPORT ARM



## SCREW COVER

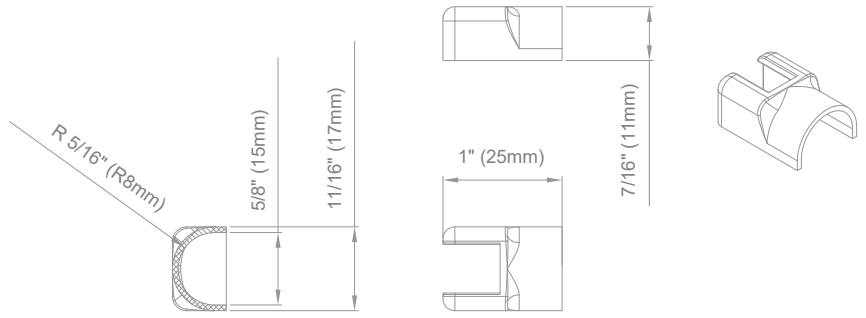


## PIVOT HINGE

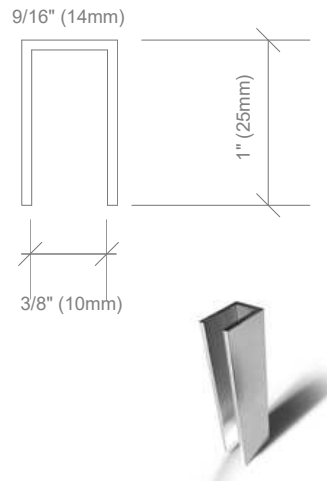


# PARTS SPECIFICATIONS

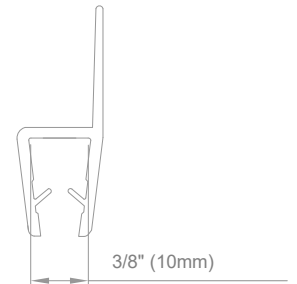
## THRESHOLD/WATER DIVERTER



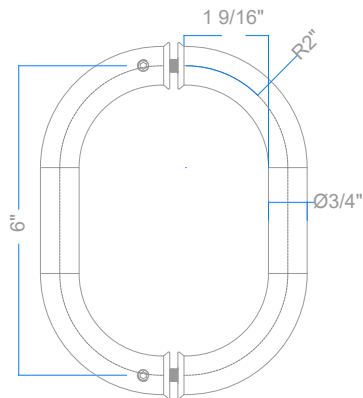
## U-CHANNEL



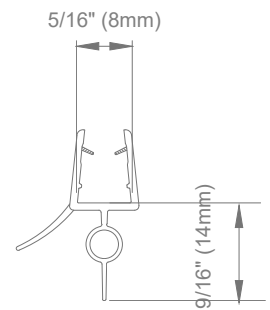
## H-SEAL WITH 90 DEGREE VINYL FIN



## PULL HANDLE



## DOOR SWEEP



## CUSTOM OPTIONS

### DIMENSIONS

- 48 in. (1218 mm) - 51 in. (1295 mm) x 96 1/2 in. (2451 mm) height
- Custom sizes and configurations available to fit specific project

### GLASS

- 5/16 in. (8 mm) door and hinged fixed panel and 3/8 in. (10mm) clear glass for inline panel
- Clear, Frosted, Reeded, Low iron and others

### HARDWARE

- Chrome, brushed stainless, satin gold and satin black hardware finished available.



CH (Chrome)



ST (Brushed Stainless)



SB (Satin Black)



SG (Satin Gold)

### GLASS COATINGS

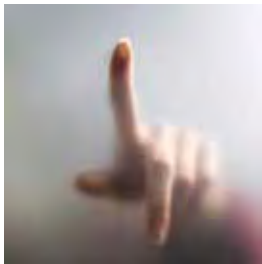
- Nano Fusion - is baked in with lifetime warranty
- Surface Shield - is surface applied with three (3) years of warranty



UNTREATED

TREATED

- Frosted glass made with acid etching process, easy to clean and leaves no finger prints



### HANDLES

- 6 in. (152mm), 8 in. (203 mm), 12 in. (304 mm), 18 in. (457 mm), 24 in. (609mm) back to back pull

D-SHAPE



METERED



SQUARE METERED



LADDER



- 6 in. x 18 in. (152 x 457 mm) & 6 in. x 24 in. (152 x 609 mm) pull handle and towel bar combination

D-SHAPE



METERED



SQUARE METERED



### TOWEL BARS

- 24 in. (609 mm) or smaller towel bar depending on inline panel width

D-SHAPE



METERED



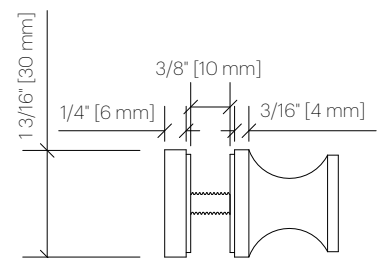
SQUARE METERED



LADDER



### ROPE HOOKS



### NOTE

- Shower pan with minimum curb width of 2 in. (50 mm) required.
- Opening direction required with optional glass coating or frosted glass.
- Blocking required where fixed panel support arms are installed.