



BRIZA CURVE-6076

FEATURE HIGHLIGHTS

- Curved and Frameless
- Barn style wheels
- Sliding door with a fixed panel
- Up to 4 in. (101mm) in width adjustment
- Chrome, brushed stainless and satin black hardware finishes available
- Solid Stainless steel construction
- Available in 4 in. and 6 in. curved rise

SPECIFICATIONS

BRIZA CURVE / MODEL NUMBER:

SW0626R-4, SW0626L-4, SW0626R-6, SW0626L-6

DIMENSIONS

- 60 in. (1524 mm) wide x 76 in. (1930 mm) height
- Overhead clearance 72 7/8 in. (1851 mm)
- Opening clearance 25 5/16 in. (642mm)
- Fits 56 in. (1422 mm) - 60 in. (1524 mm) finished opening
- Up to 4 in. (101 mm) in width adjustment
- No out-of-plumb adjustment
- Available in 4 in. and 6 in. curved rise

GLASS

- 5/16 in. (8 mm) clear glass
- ANSI certified tempered glass

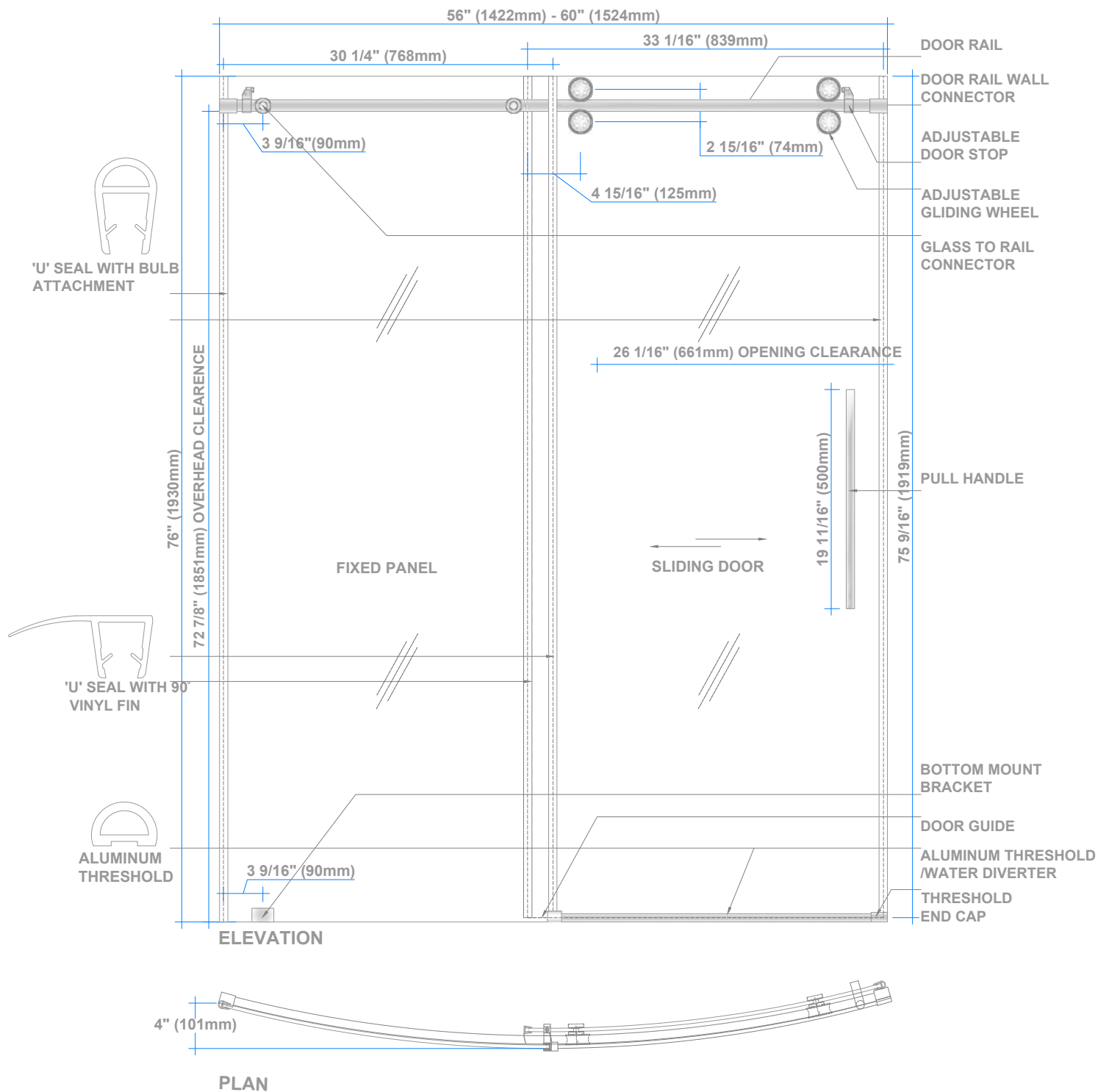
HARDWARE

- Chrome finish
- Solid stainless steel construction
- Adjustable gliding wheels
- Aluminium threshold
- Fully frameless glass design

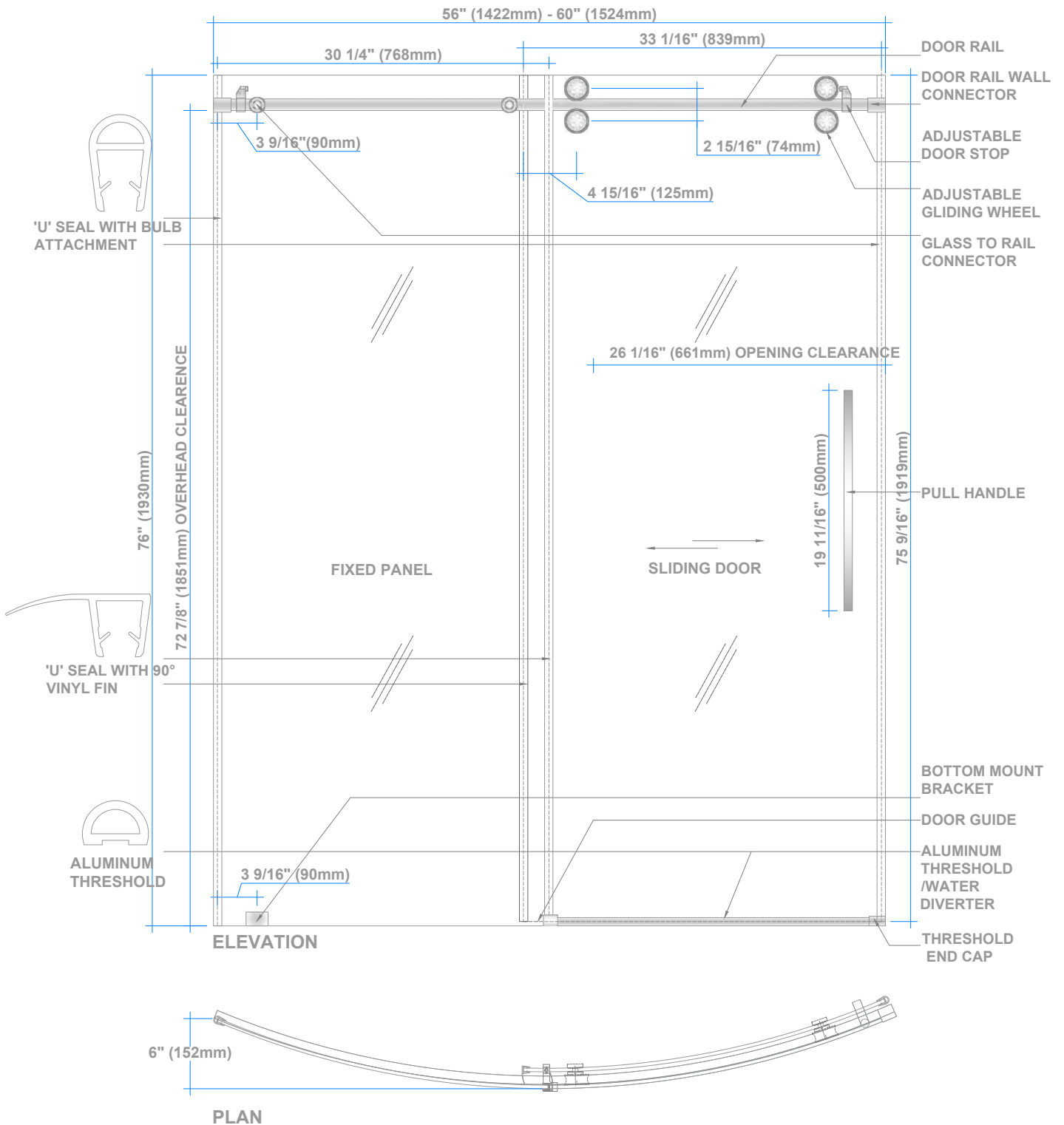
STANDARD FEATURES

- Curved single sliding door with one (1) fixed panel
- Polycarbonate water proof seal strips (see drawings)
- Not reversible right or left direction
- CPSC 16CFR 1201
- ANSI Z97.1
- IBC 2009 2403

BRIZA CURVE-4-6076

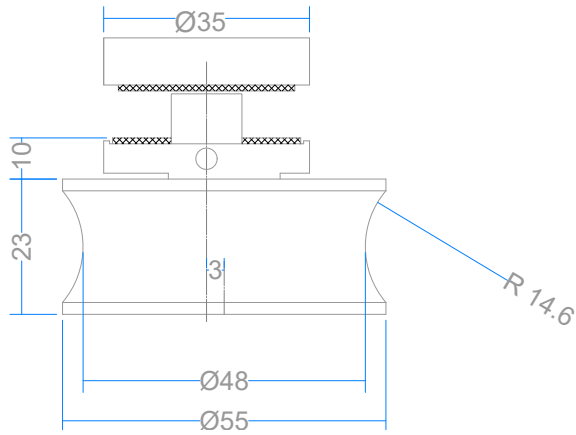


BRIZA CURVE-6-6076

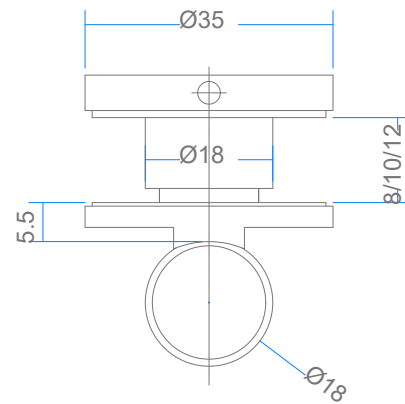


PARTS SPECIFICATIONS

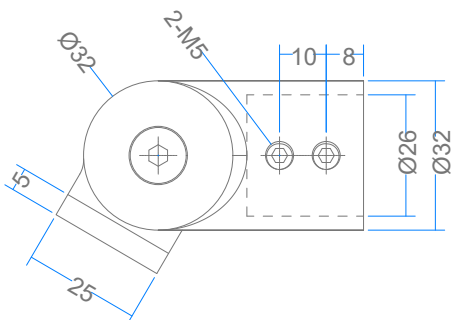
ADJUSTABLE GLIDING WHEEL



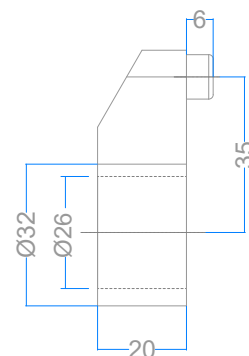
GLASS TO RAIL CONNECTOR



DOOR RAIL WALL CONNECTOR

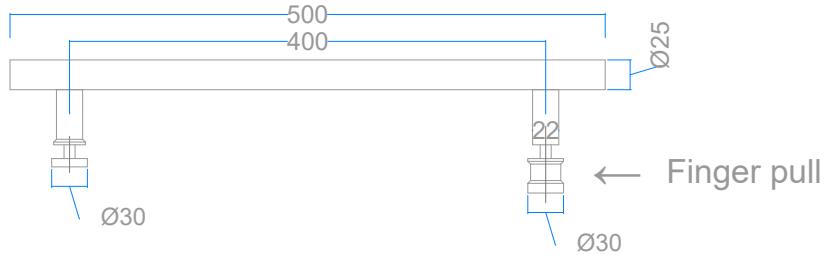


ADJUSTABLE DOORSTOP

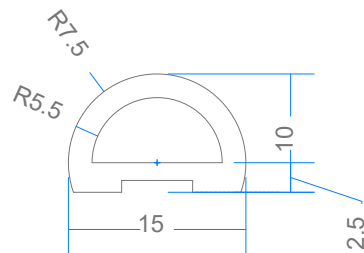


PARTS SPECIFICATIONS

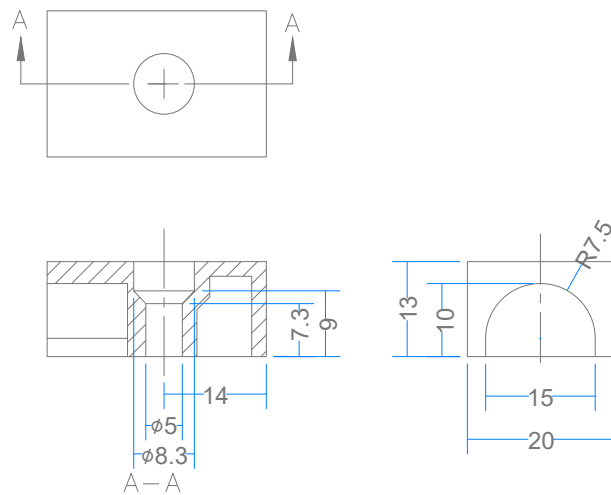
PULL HANDLE
Model # L103610



ALUMINIUM THRESHOLD / WATER DIVERTER

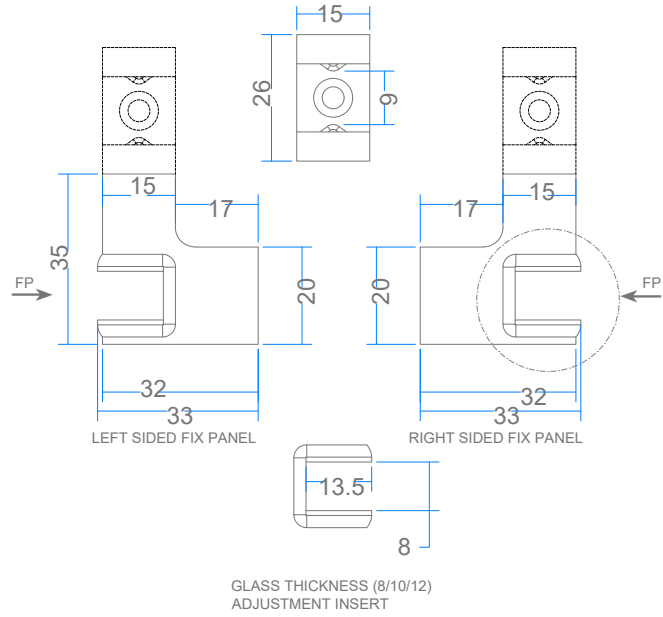
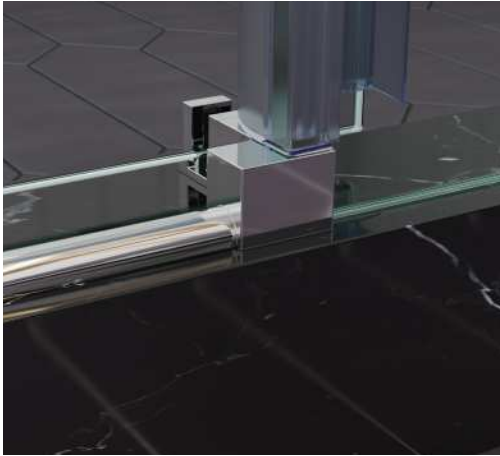


THRESHOLD END CAP

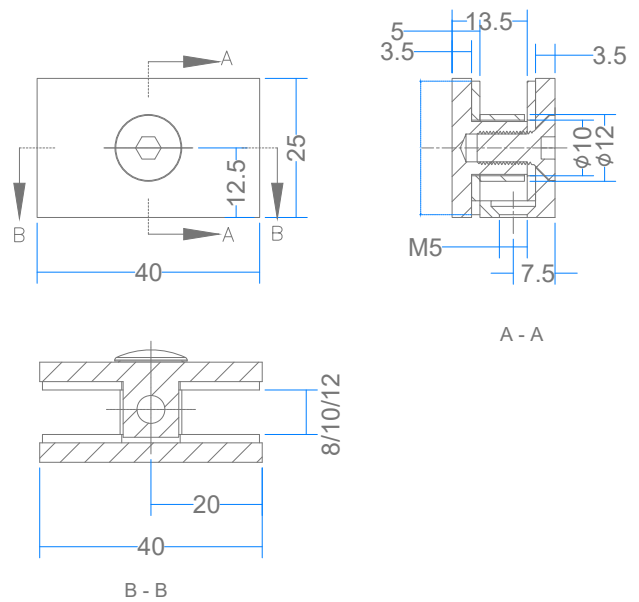


PARTS SPECIFICATIONS

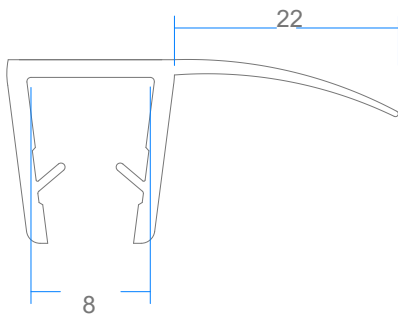
DOOR GUIDE



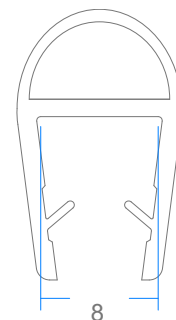
BOTTOM MOUNT BRACKET



'U' SEAL WITH 90 DEGREE VINYL FIN



'U' SEAL WITH BULB ATTACHMENT



CUSTOM OPTIONS

DIMENSIONS

- Custom sizes and configurations available to fit specific project

GLASS

- Clear and frosted

HARDWARE

- Chrome, Brushed Stainless and Satin Black



CH (Chrome)



BS (Brushed Stainless)



SB (Satin Black)

GLASS COATINGS

- NanoFusion - is baked in with lifetime warranty
- EnduroShield - is surface applied with ten (10) years of warranty



UNTREATED

TREATED

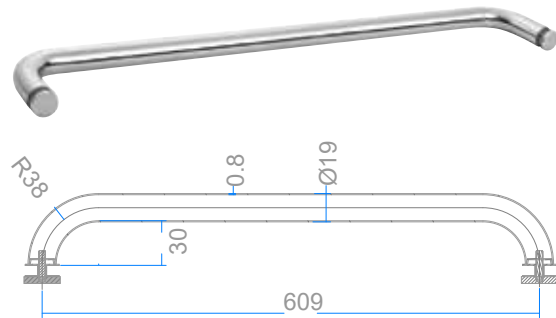
- Frosted glass made with acid etching process, easy to clean and leaves no finger prints



TOWEL BAR

Model # L101610

- 24 in. (609mm) or smaller towel bar depending on fixed panel width



TOWEL BARS OPTIONS

- 24 in. (609 mm) or smaller towel bar depending on inline panel width

D-SHAPE



METERED



SQUARE METERED



LADDER



NOTE

- Shower pan with minimum curb width of 2 3/8 in. (60 mm) required.
- Blocking required where door rail wall connectors are installed.
- Opening clearance based on a 60 in. (1524 mm) opening between the finished walls. Dimensions variable depending on finished opening and location of door stop when installed.
- Opening direction required.