



# SUTTON

## FEATURE HIGHLIGHTS

- Aluminum framed door
- Single hinged door
- Horizontal and vertical grid lines available
- Custom sizes available
- Many handle and towel bar options available
- Various configurations available within the same series
- Chrome, brushed stainless, oil rubbed bronze, satin gold, and satin black hardware finishes available.

## SPECIFICATIONS

### SUTTON/ MODEL NUMBER: SW0141

#### DIMENSIONS

- Door: Up to 36 in (914mm) x 96 1/2 in (2451 mm)
- Up to 3/8 in (10 mm) in width adjustment.
- No out-of-plumb adjustment

#### GLASS

- 3/8 in. (10 mm) glass
- ANSI certified tempered glass

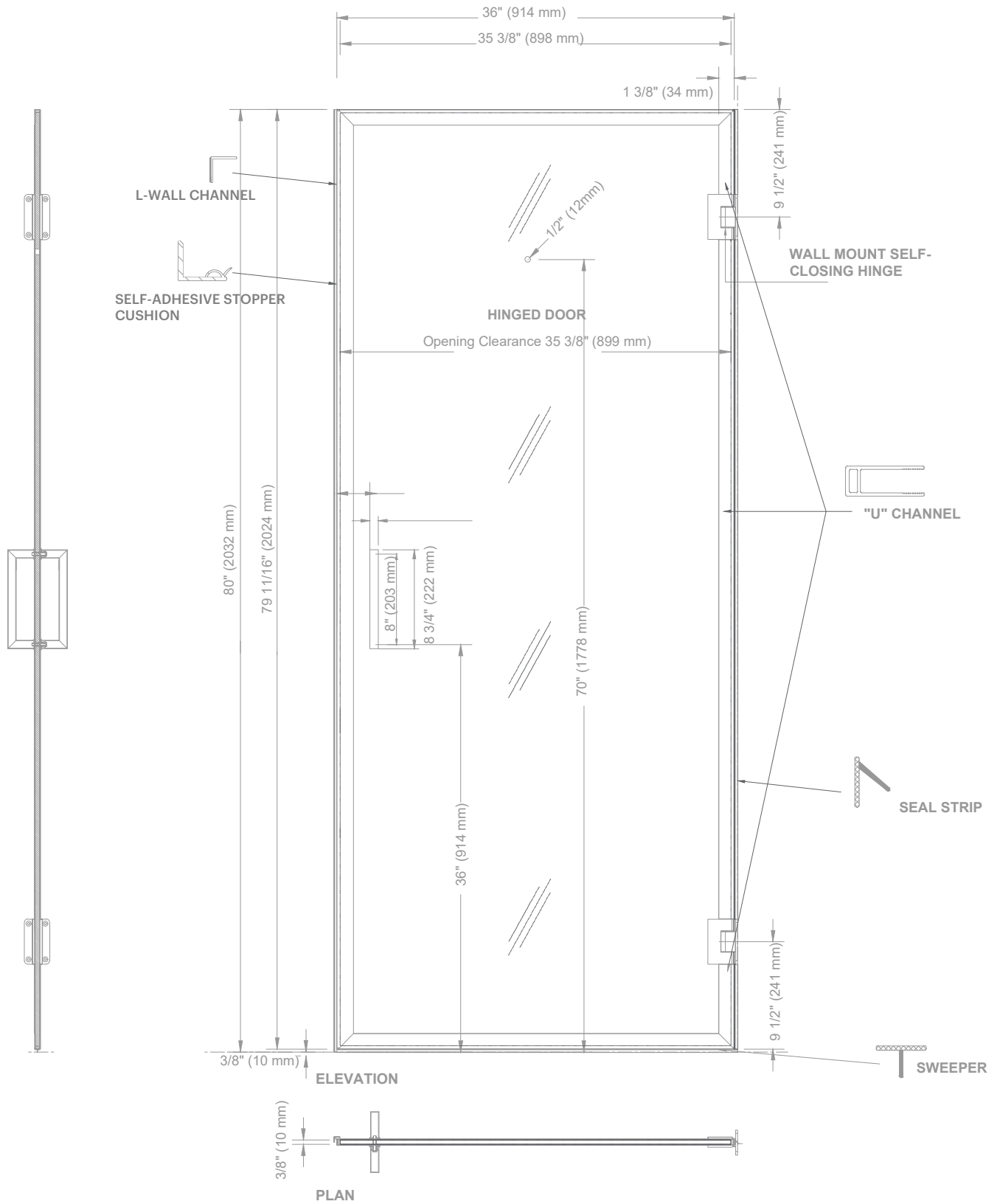
#### HARDWARE

- Satin black finish (see options)
- Two (2) Stainless steel wall mount self-closing hinges
- Aluminum frame
- 8 in. (203 mm) back to back pull handle

#### STANDARD FEATURES

- Single hinged door
- Polycarbonate water proof seal strips (see drawings)

# SUTTON



# SUTTON HORIZONTAL

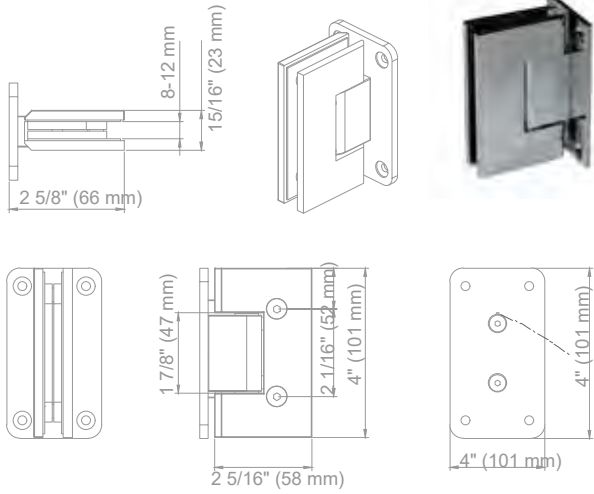


# SUTTON VERTICAL & HORIZONTAL



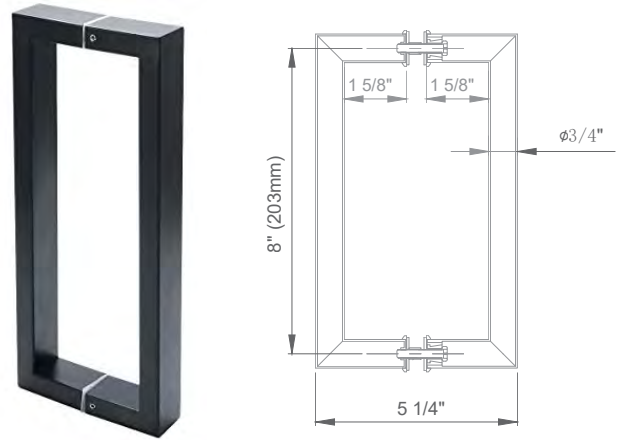
# PARTS SPECIFICATIONS

## WALL MOUNT SELF-CLOSING HINGE

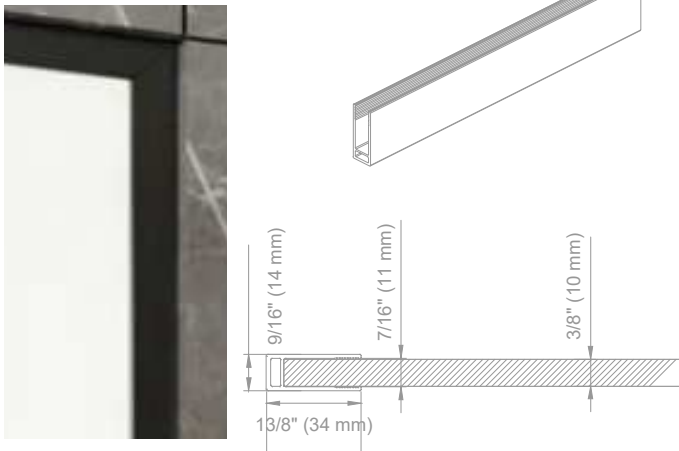


## BACK TO BACK PULL HANDLE

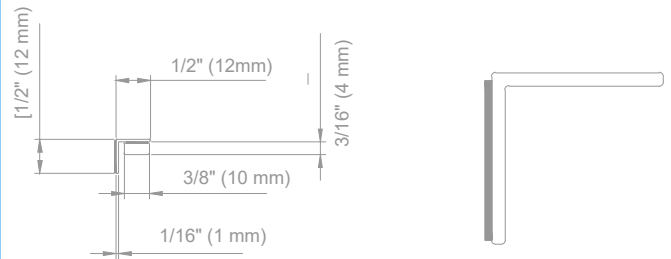
Model # L1813203



## ALUMINUM FRAME



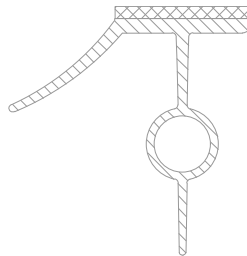
## L-WALL CHANNEL



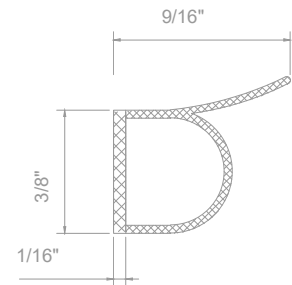
## SELF-ADHESIVE STOPPER CUSHION BLACK COLOR



## SELF-ADHESIVE DOOR SWEEP BLACK COLOR



## SELF-ADHESIVE WATER SEAL BLACK COLOR





## CUSTOM OPTIONS

### DIMENSIONS

- Custom sizes available to fit specific project requirements.

### GLASS

- 3/8 in. (10 mm)
- Clear, Frosted, Reeded, Low iron and others

### HARDWARE

- Chrome, brushed stainless, oil rubbed bronze, champagne bronze, satin gold, and satin black hardware finishes available.



CH (Chrome)



RB (Oil Rubbed Bronze)



ST (Brushed Stainless)



SG (Satin Gold)



SB (Satin Black)

### HANDLES

- 6 in. (152mm), 8 in. (203 mm), 12 in. (304 mm), 18 in. (457 mm), 24 in. (609mm) back to back pull

D-SHAPE



METERED



SQUARE METERED



LADDER



- 6 in. x 18 in. (152 x 457 mm) & 6 in. x 24 in. (152 x 609 mm) pull handle and towel bar combination

D-SHAPE



METERED



SQUARE METERED



### GLASS COATINGS

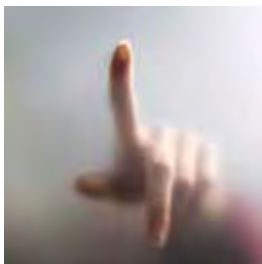
- Nano Fusion - is baked in with lifetime warranty
- Surface Shield - is surface applied with three (3) years of warranty



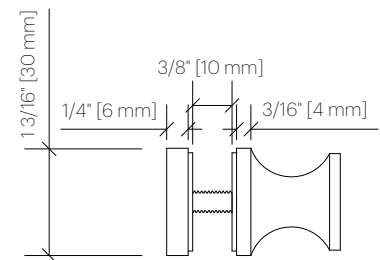
UNTREATED

TREATED

- Frosted glass made with acid etching process, easy to clean and leaves no finger prints



### ROPE HOOKS



### NOTE

- Shower pan with minimum curb width of 1 in. (25 mm) required.
- Seawin Sutton heights and widths can be customized to fit specific project requirements.
- Opening direction required with optional glass coating or frosted glass combining with pull handle/towel bar combination.
- Blocking required where hinges are installed.